



Holiday Season

Special Edition Newsletter

2022

Inside This Edition...

<u>Message from the Chair.....</u>	<u>2</u>
<u>Message from the Newsletter Editor.....</u>	<u>6</u>
<u>Photos from Joint SPE Dinner Event.....</u>	<u>8</u>
<u>MPD Board & Committees.....</u>	<u>13</u>
<u>Treasurer's Report.....</u>	<u>18</u>
<u>K 2022 Advanced Technology.....</u>	<u>21</u>
<u>Upcoming Events.....</u>	<u>31</u>
<u>Councilor's Report.....</u>	<u>35</u>



Season's Greetings



SEASON'S GREETINGS FROM THE CHAIR



Dear Fellow Medical Plastics Division Members,

Thank you for making time to read our award-winning newsletter! It is such a pleasure for me to send you these greetings as we close-out Fall and enter the holiday season. Seasons Greetings to you and your families.

Within the pages of this newsletter, you will find some great updates on technical programming and networking events your board of directors has been actively working on throughout the year. Our newsletter editor Vijay Kudchadkar has also prepared some photos to share from his recent trip to the K-show as well as a few photos from “A Special Night for Glenn Beall – Some Recent Advances in Polymers and Electronics Applications to Medical Devices & Drug Delivery Systems.”

With my first letter to the membership – I wanted to take a moment to reflect on the rich history and legacy of the MPD. For more than 40 years we have provided information, networking, and insight to members focused on the medical device & healthcare industry and continue to evolve as the role of plastics expands in service of human health. Our division benefits from broad industrial support and invests in the future through scholarship and industry-relevant technical programming.

A bit of early history (courtesy of our historian Len Czuba): in the late 1970's (05Nov77) a small group of SPE members (including Glenn Beall) involved with the development and manufacturing of medical devices recognized the need for an SPE division focused on plastics used in the medical device & healthcare industry. They initiated the formation of a new division within SPE and on 05May80 the MPD was formally chartered by SPE's Council.

Continued next page ...



SEASON'S GREETINGS FROM THE CHAIR

Earlier this fall it was my absolute honor to recognize Glenn Beall as our 1st Emeritus MPD member (a huge thank you to our friends in the Chicago and Milwaukee sections). When I joined the MPD many years ago as Newsletter Editor – I received several encouraging notes from Glenn about the efforts made by the MPD to reach out and engage our membership. Glenn mentioned his past roles including newsletter editor and I was humbled to be following in his steps. On a more personal note: Glenn has been a great mentor to me (as well as countless others in our industry). Please join me in 3 cheers for Glenn!



Continued next page ...



SEASON'S GREETINGS FROM THE CHAIR

Building upon our great history and legacy – I would be remiss for not mentioning a few accomplishments and highlights of our bright and upcoming future:

- The MPD Future Strategy Working Group (Rob Klein, Len Czuba, Ali Aster, Ned LeMaster, Maureen Reitman, Charles Yang, Pierre Moulinié, Gregorio Valez, Tom Meehan, and Amin Sedighiamiri; led by Norm Fowler, SPE President 1997-1998) was commissioned with preparing a 5-year strategic plan for the MPD – we are actively seeking feedback from members so please reach out to us at strategympd@gmail.com
- The MPD has recently updated our MPD Mission statement: *“We will be the leading platform for the scientific and engineering community to exchange technical information on medical applications using plastics and polymers.”*
- The MPD MiniTec program (new for 2023: 2-days of programming!) is complete and will be co-located at MD&M West in Anaheim, CA for Feb 6 & 7 2023; our Social Committee is actively planning a few social events for that week to get MPD members (new and old) together again.
- The MPD TPC is actively seeking papers and contributors for ANTEC 2023: to be held the week of March 27th in Denver, Colorado. Additionally, the MPD BOD is planning an afternoon tutorial session on Medical Plastics during ANTEC 2023. Please reach out to Rob Klein – TPC Chair for more information.
- The MPD 1st Wednesday Virtual Technical Forum & Networking Events have resumed. Our next speaker will be Len Czuba – presenting December 7, 2022; please reach out to Pierre Moulinié for an invite or check out our LinkedIn page and let us know if you would be interested in speaking!
- Speaking of LinkedIn: our MPD page is quickly approaching 1,000 followers – please check out the content; we encourage you to comment and like the content that appeals to you!
- Ali Ashter (past president) will be organizing BOD elections for 2023-2026; a great opportunity for new members (and opportunity always available for anyone willing to serve on committees whether on the board or not)

Thank you for your membership and support – I look forward to serving our community with you.

Best Regards,

Louis Somlai



INJECTIONS CANNOT BE PAINLESS. WHY NOT?

Makrolon®



Needleless injection made possible
by medical Makrolon®

#PushingBoundaries



Interested in Sponsorship?
Please email:
Vijay Kudchadkar
Vijay.Kudchadkar@westfall-technik.com
Selvaanish Selvam
Selvaanish.Selvam@avient.com



SEASON'S GREETINGS FROM THE NEWSLETTER EDITOR



Greetings fellow Medical Plastics Division Members. 'Tis the season to be jolly and I would like to wish you and your family joy and peace, this holiday season and always.

In this newsletter, we are featuring photos from an event where SPE Chicago, SPE Milwaukee, and SPE Medical Division came together to honor Glenn Beall and discuss hot topics in Medical Plastics.

We are organizing our MiniTec in at MD&M West 2023 and a workshop at Antec 2023. Please see the upcoming events section for more details.

Merry Christmas and Happy Holidays! Have a magical holiday season!

Best wishes, Vijay Kudchadkar

Newsletter Suggestions? Interested in Sponsorship?

Please email:

Vijay Kudchadkar Vijay.Kudchadkar@westfall-technik.com

Selvaanish Selvam Selvaanish.Selvam@avient.com



HEALTHCARE TECHNOLOGY ACCELERATED

Healthcare technology is growing and evolving, and we want to help you advance forward. Let's work together to solve your toughest medtech challenges, and spark breakthroughs for tomorrow.

With a focus on specialized materials, colorants and additives from the world's leading plastics suppliers, you can lean on our dedicated design, technical and logistics teams to help you minimize risk, optimize design and accelerate commercialization.



For more information,
visit avientdistribution.com/healthcare



Interested in Sponsorship?

Please email:

Vijay Kudchadkar Vijay.Kudchadkar@westfall-technik.com

Selvaanish Selvam Selvaanish.Selvam@avient.com



**Joint Technical Dinner Event
by
SPE Chicago Section,
SPE Milwaukee Section, and
SPE Medical Division**



Photos from a Joint Technical Dinner Event by SPE Chicago Section, SPE Milwaukee Section, and SPE Medical Division

Hot Topics in Medical Devices - Glenn Beall Recognition



Date & Time:
Wednesday, October
12, 2022, from 5:00 PM
to 9:00 PM CDT

Location:
Holiday Inn Gurnee
6161 W Grand Ave
Gurnee, IL 60031



**Photos from a Joint Technical Dinner Event by
SPE Chicago Section, SPE Milwaukee Section , and SPE Medical Division
Hot Topics in Medical Devices - Glenn Beall Recognition**



MPD Emeritus Member, Glenn Beall



Photos from a Joint Technical Dinner Event by SPE Chicago Section, SPE Milwaukee Section, and SPE Medical Division

Hot Topics in Medical Devices - Glenn Beall Recognition



MPD President, Louis Somlai



**Photos from a Joint Technical Dinner Event by
SPE Chicago Section, SPE Milwaukee Section , and SPE Medical Division
Hot Topics in Medical Devices - Glenn Beall Recognition**



MPD President, Louis Somlai (L); MPD Emeritus Member Glenn Beall (R)



MPD President, Louis Somlai (L); MPD Member Ned LeMaster (R)



Meet the Board



MEET YOUR SPE MPD BOARD OF DIRECTORS

Emeritus Members



Glenn Beall

- Emeritus Member
- Historian
- glennbeallplas@msn.com



Len Czuba, Czuba Enterprises

- Emeritus Member
- Awards & Social Committee Chair
- LCzuba@CzubaEnterprises.com



MEET YOUR SPE MPD BOARD OF DIRECTORS

Officers



Louis Somlai, Eli Lilly

- Chair, Communications Committee
- Term End: 2024
- somlai_louis@lilly.com



Pierre Moulinié, Covestro

- Secretary
- Term End: 2025
- pierre.moulinie@covestro.com



Ned LeMaster, DuPont

- Councilor
- Term End: 2024
- ned.e.lemaster@dupont.com



Bhavin Shah, Millipore Sigma

- Treasurer, Finance Committee
- Term End: 2025
- bhavin.shah@milliporesigma.com



Ali Ashter, Advanced Plastics Enterprise

- Past Chair
- Term End: 2023
- ashter2000@gmail.com



MEET YOUR SPE MPD BOARD OF DIRECTORS

MPD Board Members with Term Expiring in 2024



Margie Hanna, Czuba Enterprises

- Member - Finance Committee
- m_hanna@yahoo.com



Vijay Kudchadkar, Westfall-Technik

- Communications Committee – Newsletter Editor
- Vijay.Kudchadkar@westfall-technik.com



Kyle Kulwicki, Kimball Electronics

- Membership
- kyle.kulwicki@kimballelectronics.com



Kumin Yang (Charles)

- TPC Co-Chair
- Kumin.Yang@bsci.com



Rob Klein, ArtiCure

- TPC Co-Chair
- rklein@atricure.com



Selvaanish Selvam, Avient

- Communications Committee
- selvaanish.selvam@avient.com



Amin Sedighi, AstraZeneca

- am.sadighi@gmail.com



MEET YOUR SPE MPD BOARD OF DIRECTORS

MPD Board Members with Term Expiring in 2025



Donna Bibber, Isometric Micro Molding
• dbibber@isomicro.com



Tom Meehan, Eastman
• tmeehan@eastman.com



Jeff Ellis, EWI
• JEllis@ewi.org


SPE Liaison



Kathy Schacht, SPE
• SPE Liaison
• kschacht@4spe.org



Treasurer's Report

 SPE MPD Q4 2022 TREASURER'S REPORT	
Financial Report for the Period:	Oct 1, 2022 - Dec 21, 2022
Section/Division Name:	Medical Plastics D36
Balance as of Oct 1, 2022	\$ 44,175.15
Income	
MPD Chapter Passthrough*	135.00
Total Income	\$ 135.00
Expenses	
Glenn Beall Recognition Award Night	1,073.90
Total Expenses	\$1,073.90
Ending Balance as of Dec 21, 2022	\$ 43,236.25

* Passthrough payment was adjusted by HQ with a deduction for Chapter insurance.



MEDICAL PLASTICS DIVISION COMMITTEES

<p>Chair Louis Somlai ('24) Communication Chair / MPD Website</p>	<p>Past Chair Ali Ashter ('23)</p>	<p>TPC Vipul Davé ('23) Past Chair / Finance Committee / Nominating Committee / Technical Program Committee</p>
<p>Treasurer Bhavin Shah ('25)</p>	<p>Councilor Ned LeMaster ('24)</p>	<p>Emeritus Member Len Czuba</p>
<p>Education Committee</p> <ul style="list-style-type: none">• co-Chair: Pierre Moulinié ('22)• co-Chair: Victoria Nawaby ('22)• Webinars: Pierre Moulinié ('22); Victoria Nawaby ('22), Ned LeMaster ('21)	<p>Communications Committee Chair: Louis Somlai ('23)</p> <ul style="list-style-type: none">• Newsletter: Vijay Kudchadkar ('24)• Marketing & Outreach: Suneel Bandi, Selvaanish Selvam ('23)• Website: Louis Somlai ('23) & Ned LeMaster ('23)• Historian: Len Czuba ('21); Glenn Beall (Emeritus)	<p>Membership Committee</p> <ul style="list-style-type: none">• Chair: Ravi Ayyar ('23)• Members: Kyle Kulwicki ('24)• Gregorio Velez ('23)
<p>Awards Committee</p> <ul style="list-style-type: none">• Chair: Ravishankar Ayyar ('23)	<p>Finance Committee Chair: Louis Somlai ('24)</p> <ul style="list-style-type: none">• Treasurer Bhavin Shah ('25)• Members: Vipul Davé ('23); Margie Hanna ('24)	<p>Technical Programing Committee</p> <ul style="list-style-type: none">• co-Chair: Kumin Yang ('24)• co-Chair: Rob Klein ('24)• Members: Vipul Dave ('23),



We would like to thank our generous sponsors for supporting our “Medical Plastics in Manufacturing: The Virtual Edition” virtual conference.

GOLD SPONSORS



SILVER SPONSORS





Advanced Technologies from the K Show



K 2022 Advanced Technology Highlights



I am grateful that my employer, Westfall Technik, decided to send me to the K show this year. The K show is the world's largest tradeshow for the polymer industry, organized in Düsseldorf, Germany every three years. Spread over 15 halls, the K show is where suppliers to the polymer industry exhibit their latest and greatest technologies.

The world was a very different place the last time the K show was organized in 2019, before the Covid-19 pandemic. With NPE 2021 cancelled, the K 2022 show was the first opportunity for the polymer industry to exhibit on such a large scale. The relief, joy, and enthusiasm was clearly evident in the eyes of the exhibitors and attendees. All of us appreciated the opportunity to view advanced technologies and exchange ideas in person.

The slides to follow will show you some of the technologies that I came across that I believe will help the medical device industry achieve our efficiency and sustainability goals.

Best wishes,

Vijay Kudchadkar

Newsletter Suggestions? Interested in Sponsorship?

Please email:

Vijay Kudchadkar Vijay.Kudchadkar@westfall-technik.com

Selvaanish Selvam Selvaanish.Selvam@avient.com

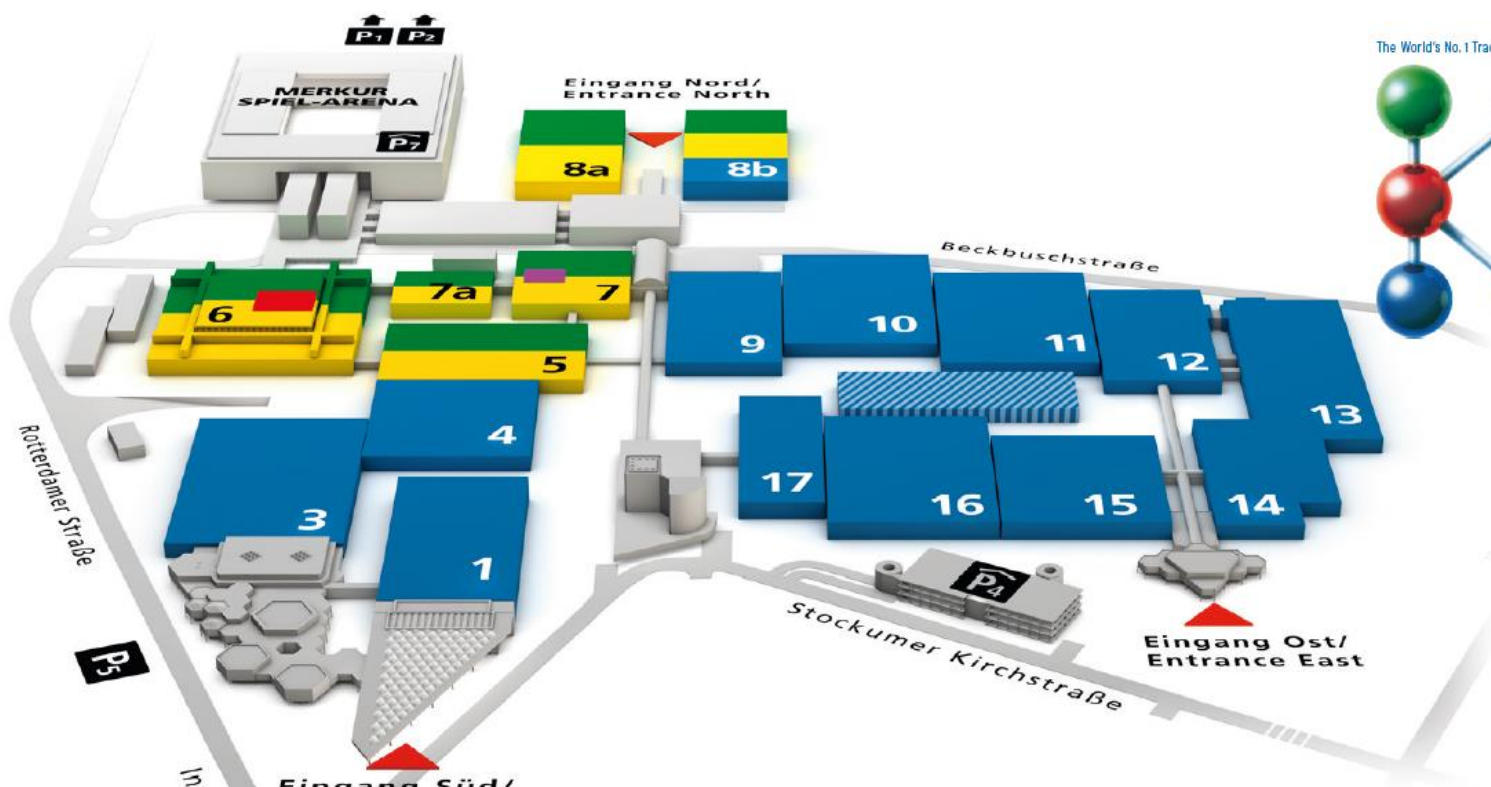


K 2022 Floor Plan

The World's No. 1 Trade Fair for Plastics and Rubber



2022
19-26 OCTOBER
Düsseldorf, Germany



- Maschinen und Ausrüstung für die Kunststoff- und Kautschukindustrie
Machinery and equipment for the plastics and rubber industry
Machines et équipements pour l'industrie du plastique et du caoutchouc
Macchinari e impianti per l'industria delle materie plastiche e della gomma
- Rohstoffe und Hilfsstoffe
Raw materials, auxiliaries
Matières premières et auxiliaires
Materie prime e ausiliarie

- Halbzeuge, technische Teile, verstärkte Kunststoffserzeugnisse
Semi-finished products, technical parts and reinforced plastics
Produits semi-finis, pièces techniques et produits en plastique renforcé
Semilavorati, parti tecniche, prodotti in plastica rinforzata

- Sonderschau
Special show
Exposition spéciale
Mostra speciale
"PLASTICS SHAPE THE FUTURE"
- ScienceCampus
- Circular Economy Forum

Messe Düsseldorf GmbH
Postfach 10 10 06 - 40001 Düsseldorf - Germany
Tel. +49 211 4560-01 - Fax +49 211 4560-608
www.messe-duesseldorf.de





iMFLUX

Hall 15 Booth D23

Smart process control that runs PCR, lowers energy consumption, and reduces part weight



SUSTAINABLE MATERIALS

- Recycled materials – even highly variable PCR
- Lower heat and shear conditions
- Variable material blends and fillers



LOWER ENERGY WEAR & WASTE

- 15%+ energy reduction
- Lower clamp tonnage – run smaller machines
- More output per energy \$ facility wide



LIGHTER PARTS

- Up to 4% material reduction (in the same mold)
- Up to 25% light-weighting potential



iMFLUX delivers up to 15% energy savings, up to 4% part weight reduction and automatically adapts to ± 52% MFI material shift



iMFLUX worked with UL to certify these important sustainability benefits



Krauss Maffei

Hall 15 Booth C24/D24

Medical Insulin Cap Starting Point for Circular Economy

KraussMaffei
Pioneering Plastics

Application

- 96-fold Insulin-Pen Cap
- Cycle time: 5,9 s
- Total energy consumption: 0.3 kWh/kg

Energy efficiency & circular economy

- APCplus: Zero defect production
- BluePower energy measuring (“deluxe” recording of every single consumer)
- Starting point of our circular economy approach: Single use medical part to long-life automotive part

Exhibit USPs:

- Highest productivity and precision
- Quality monitoring
 - APCplus: monitoring in standard / regulation optional
 - Integrated mold cooling ORCA (Temperature, flow, pressure)
- Social Production: Enables location and time-independent monitoring of the machines and the production process

Links for more information

- APCplus: [\(42\) APC plus - Automatic process control - in a nutshell – YouTube](#)
- SocialProduction: [\(42\) socialProduction | Production. Communication. Mobile. Intuitive. - YouTube](#)
- PX and Orca Mold cooling: [\(42\) Pipettes for medical technology - PX 81-180 Medical - YouTube](#)
- KraussMaffei and K2022: [\(42\) KraussMaffei at K 2022 - YouTube](#)



96-fold Insulin-Pen Cap PX 200-1400 CleanForm

- Application: Medical
- Shot weight: 108 g
- Cavities: 96
- Cycle time: 5,9 s
- Clamp force: 2.000 kN
- Injection unit: SP1400 D60 HPS-UN
- Material: PP
- Automation: None – free falling parts
- Mold: Manner (Barnes Group)
- Laminar Flow Box: Max Petek



SocialProduction App



- Laminar Flow Box Petek
- Encapsulated drives for elec. ejector, clamping unit
- high gloss painting
- NSF H1 oil for Clean room applications
- Closed oil circuit for toggle system
- Super fast electrical ejector Speed: 700 mm/s
- HPS-UN Screw design for best material quality
- Injection speed: 270 mm/s
- ORCA - fully integrated mold cooling system

Circular Economy

From medical insulin pen caps to automotive door module





RocTool | 3iTech® - Internal, Integrated, Induction Technology



Hall 15 Booth D24

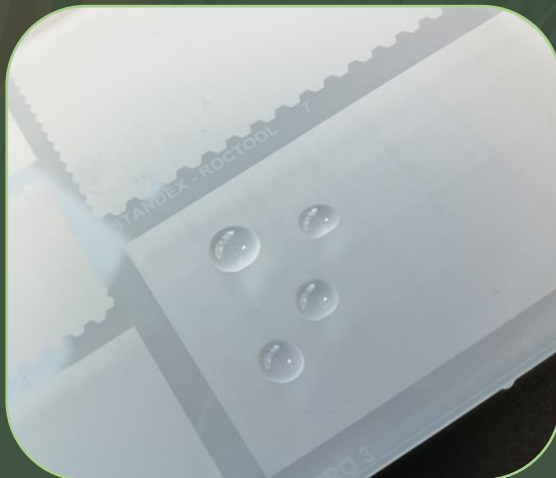
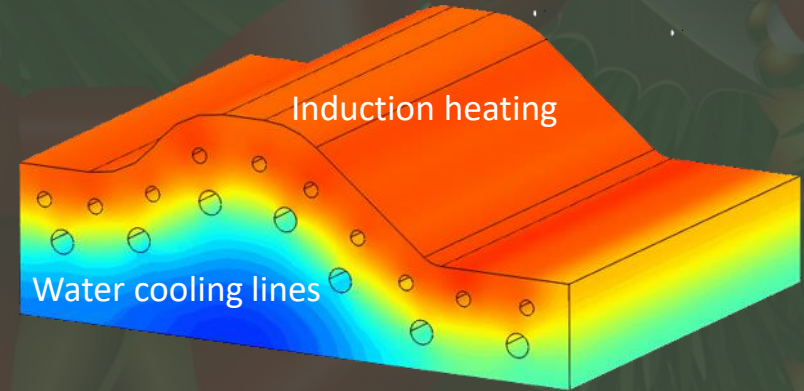
Flow improvement with thickness reduction 0.7mm



Conventional Molding



With RocTool Technology



Hydrophobic textures with RocTool technology



Contact info: tom.vondrak@roctool.com www.roctool.com

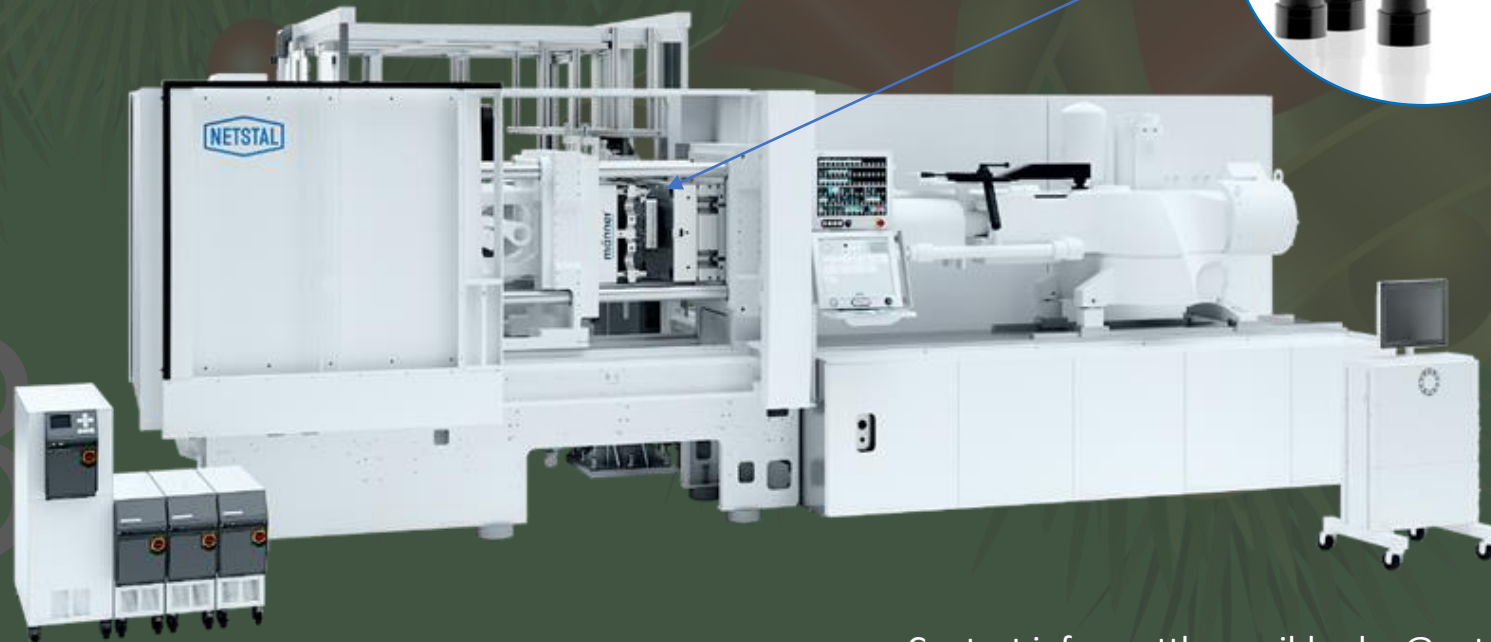


Netstal | High Output Pipette Tips

Hall 15 Booth D24



- 5.3 s Cycle Time for a 64 Cavity Pipette Mold
- Energy Efficient All-Electric Machine that can inject highly viscous conductive material
- Fully Automated with magnetically driven – high speed side entry system
- Demonstrated to Increase Output and Return on Investment by 15%



Contact info: matthew.wibberley@netstal.net



HPS III-MH – The benchmark side gating solution:

Hotrunner side gating nozzle allows for efficient and process-reliable production of parts in multi-cavity molds. The patent pending tip exchange technology guarantees an unmatched ease in maintenance.

Process reliable valve gate solutions:

The use of EWIKON valve gate technology guarantees excellent surface quality of parts, as well as, considerably increased process reliability. A variety of system designs allows for easy adaptation to specific application requirements. Drive options are available for pneumatic, hydraulic, or high precision electric valve pin actuation. Synchronous plate systems are also offered.

The high-performance cold runner system for the processing of LSR

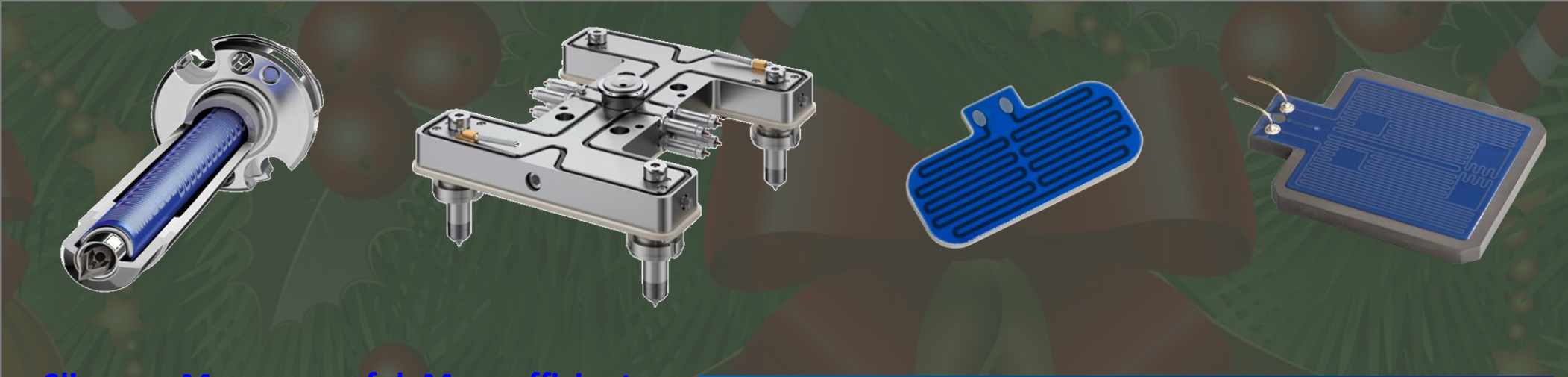
- Significantly reduced set-up times and perfect fine balancing
- Optimized cycle times and highest gating point quality
- Homogeneous heating of the cavity plate





Günther | BlueFlow® Hot Runner Technology

Hall 1 Booth D12



Slimmer. More powerful. More efficient.

As experts in hot runner systems, we are already accomplishing future tasks today with a pioneering technology which optimizes your energy consumption. Save up to 50% energy with the highly efficient BlueFlow hot runner nozzle.

This ideal solution for moulds with multiple drops impresses with its innovative GÜNTHER thick film heating, which, together with the two part shaft, ensures maximum energy efficiency. The two part shaft reduces heat transmission to the mould thanks to choice of a suitable material. This ensures optimum cost efficiency and allows process reliable, energy efficient hot runner systems to be created for injection molding processes.

Save up to

50% energy.

Our expertise. Your advantages.

- + Maximum energy efficiency
- + No preheating
- + Smaller size
- + Smaller shaft diameter
- + Narrower cavity spacing
- + Non-hygroscopic
- + More precise temperature control
- + High dielectric strength
- + Easy to install

Contact info: <https://guenther-hotrunner.com>



Fostag | Ring Gate Co-injection (Patented)

Hall 1 Booth D12

FOSTAG
the key to precision in moulds



delivering

- ❖ oxygen barrier
- ❖ reduced injection pressure
- ❖ elimination of voids
- ❖ product design opportunities



Upcoming Events



SPE MiniTec 2023

Innovations in Medical Plastic Materials, Processes and Devices

When: Feb 6-7, 2023

Where: Anaheim Convention Center, Anaheim, CA

Innovation in medical plastics continues in the form of new materials, improved processing methods, new designs for devices and packages and new sustainability initiatives. This is despite the many new challenges that MedTech has faced in the form of the pandemic limitations, supply chain challenges and new regulations. Trends in the industry have also helped define new approaches for innovation and best practices to demonstrate effective and safe medical technologies.

[» View the Full 2023 MiniTec Schedule](#)

In addition, you have access to all of the free education available on the expo floor. [Click here](#) to view the complete list of education offered.

[**REGISTER TODAY**](#)



SPE MiniTec 2023 - Call for Sponsors

When: Feb 6-7, 2023

Where: Anaheim Convention Center, Anaheim, CA

Sponsorships provide a great way to increase the awareness of your organization to an assembled group of Medical Plastics material scientists, designers, and processors. The connections made at the MPD MiniTec are valuable as you seek to grow your business, learn new technologies, and explore new market segments. As an added value – your 1-time sponsorship covers **2 full days of programming**.

2023 MPD MiniTec Sponsorships now available Gold level - \$1,500

Silver level - \$1,000

Bronze level - \$500

Table tops for exhibitors

(in MiniTec conference room) are now also available!

Cost of Table top - \$1,000

Note: Only 10 tables are available!!! These will be given on first come, first served basis.

Interested in Sponsoring? Please contact:

Bhavin Shah bhavin.shah@milliporesigma.com

Chris Konitzer christopher.konitzer@avient.com



Pre-ANTEC Workshop on Medical Plastics and Polymers

Medical Plastics & Polymers: Fundamentals and New Growth Drivers That You Need to Know

Date: March 27, 2023, from 2pm-5pm (MT)
Location: Hilton Denver City Center, Denver, CO

REGISTER TODAY

Workshop Overview

This workshop is intended for engineers, scientists and professionals already in the medical materials field who are looking for fresh insights into recent trends; as well as students, engineers, scientists and professionals who are not currently in the field, or are new to it but who are interested in learning more about medical material fundamentals along with recent trends in the medical materials field. Due to the complexity of the medical technology field, there are many new developments of which engineers, professionals, suppliers, manufacturers and other stakeholders may not be aware. This workshop will help broaden attendees understanding of the field and recent developments. This workshop will be organized into sections addressing (a) industry fundamentals and the evolving regulatory framework, (b) work-horse materials for industry sectors, (c) Industry drivers including sustainability and environmental issues, and (d) emerging materials for the life sciences.

Who is This Workshop Intended for?

People responsible for end-product or salespeople working to solve problems that might not be their material or process's fault.

About the Instructors

The listed instructors from the SPE Medical Plastics Division each have multiple decades of experience in the medical plastics and polymers field. We also have a history of developing and delivering timely, technical and business-relevant information to a range of audiences. For example, we have presented at ANTEC®, TOPCONs, MD&M, and other technical shows and trade shows for the last 40 years. The SPE Medical Plastics Division is planning this team-delivered workshop to leverage the combined insight and experience of our instruction panel to provide a dynamic and engaging learning experience.



Councilor's Report



Greetings from the division councilor's chair. What an incredible close to 2022. I am very excited to see the efforts of the division and the fruits of our labor come to fruition. 2023 has a very promising outlook for the MPD.

Since my last report from the first half of the year, there have been several leadership roundtable meetings covering various topics from By-Laws, Diversity Equity and Inclusion, HQ Promotions, Girl Scouts' SPE Polymer STEM Patch Pilot Program, to ANTEC. My August 19th report covered these in greater detail. Please reach out if you'd like a copy.

More recently, we had our Update to Council Meeting, followed immediately by the Meet the Candidates meeting on October 31st. The first half of the meeting focused on SPE's Vision and honed in on topics like Enhanced Reputation, Credible Knowledge Sharing, and Increased Engagement and Networking. The key takeaway being that SPE intends to make an effort to improve the reputation of plastics and address any negative stigma associated with plastics.

Jason Lyons kicked off the Council meeting covering SPE's vision which is, "Inspiring the World with Plastics". Under Enhanced Reputation, he and Pat Farrey talked about topics like the Girl Scouts' STEM Patch, An On-Demand Speaker Series, a Cohort Program titled "Essentials of Management and Leadership in Plastics".

Continued next page ...



Councilor's Report

Note to any of those interested in attending the Cohort Program, the cost after December 16th for SPE members is \$3,375 and \$4,375 for non-members. This is a six month program with an application process (apparently there is a waiting list), and will be kicked back-off in 2023 after review of results from the pilot program.

Pat led the discussion around Credible Knowledge Sharing, and highlighted a concept titled "SPE National Weeks of Learning". This may be a good opportunity for the MPD to highlight Medical Plastics for a with HQ support. However, we do already have a pretty full plate of events as a division. The TPC has taken the lead on this per one of our recent board meeting discussions. Pat also took the opportunity to introduce Dr. Iván López as the New SPE Director of Technical Programs.

The meeting then transitioned back to Jason, where he covered importance of networking with emphasis on ANTEC. Jason then turned it over to Scott Eastman, who covered the SPE Code of Conduct. The reason Scott covered this was to address a recent issue between a mid-career female and late-career male. If you need help finding a copy of the code of conduct, please reach out.

Following Council business, we had the opportunity to "Meet the Candidates". This was a really neat experience and kudos to HQ for use of the virtual format with different chat rooms. You could enter and exit a room to talk with candidates separately. The rooms were exclusive to the candidates, but not to others asking questions, so you got to hear their responses to other questions, which was nice.

Continued next page ...



Councilor's Report

I mentioned my voting and we covered the election results during one of our recent BOD meetings. Below are the results:

- President-Elect: Conor Carlin
- SPE Elected Directors: Todd Bier, Praveen Boopalachandran, and Lynzie Nebel

Thank you all for the input leading into the election! Please reach out if you have any questions about the election or results.

The next Council Meeting will be held at ANTEC, on Monday, March 27th. Below is an outline of the meeting agenda:

- 10 am Councilor Session
- 12 pm All-Chapter Leader Session

You can expect during this session:

* Hear about the latest developments at HQ; * Meet other Chapter Leaders & build your personal and professional networks;

* Share best practices; * Lunch!

Continued next page ...



Councilor's Report

Please let me know if you'd like more information on the March 27th meeting. Note, you must register for ANTEC to attend the above, and I have confirmed with HQ that there will be no discounted rates to Board Members as has been done in the past. Please pay attention to the deadlines for registration as prices do increase after January 31st.

Thank you again for all the support and tremendous efforts in 2022. Wishing you all a safe and happy holiday season and best wishes in 2023.

Best –

Ned

Newsletter Suggestions? Interested in Sponsorship?

Please email:

Vijay Kudchadkar Vijay.Kudchadkar@westfall-technik.com

Selvaanish Selvam Selvaanish.Selvam@avient.com



VESTAKEEP® Implant PEEK filament for 3D printing



MEDICAL 3D PRINTING GRADE

VESTAKEEP® i4 3DF is perfectly suitable for additive manufacturing of permanent implants using fused filament fabrication (FFF) technology.

TEST AND DEVELOPMENT GRADE

VESTAKEEP® i4 3DF-T filament for FFF technology is additionally offered as a cost-efficient testing grade for research and process development purposes.

VESTAKEEP®



WORLD'S
FIRST!



Interested in Sponsorship?
Please email:
Vijay Kudchadkar
Vijay.Kudchadkar@westfall-technik.com
Selvaanish Selvam
Selvaanish.Selvam@avient.com